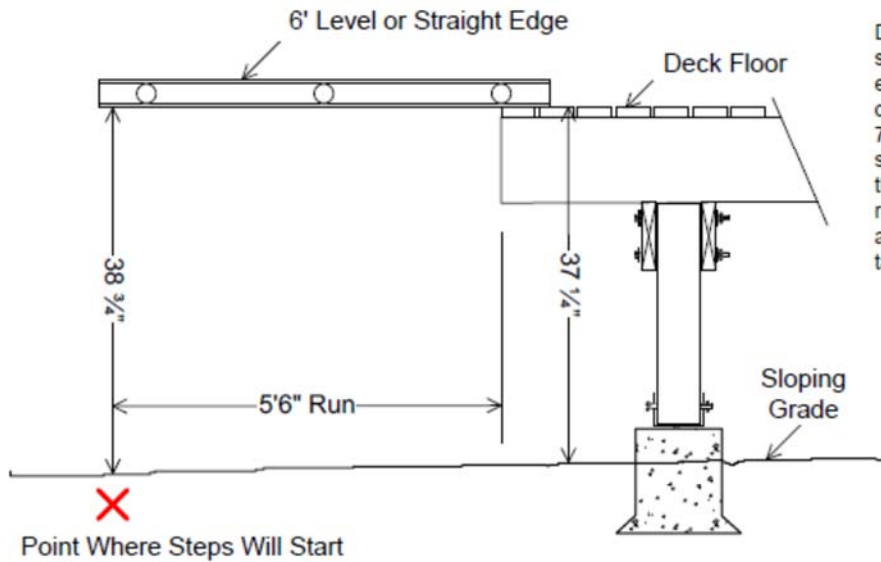


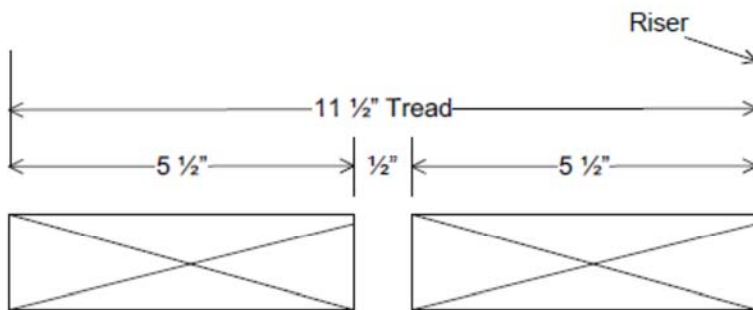


Stair design



Determine total rise at point where steps will start, not at the deck. In this example, 5 steps would get a total rise of $38 \frac{3}{4}$ " ($7 \frac{3}{4}$ " is the max riser, so $5 \times 7 \frac{3}{4}$ " = $38 \frac{3}{4}$ " total rise). Commercial steps cannot exceed 7" in rise; therefore, a $38 \frac{3}{4}$ " total rise would require 6 risers ($38 \frac{3}{4}$ " / 6 = 6.45 or approximately 6-7/16" per rise). See table to convert decimals to fractions.

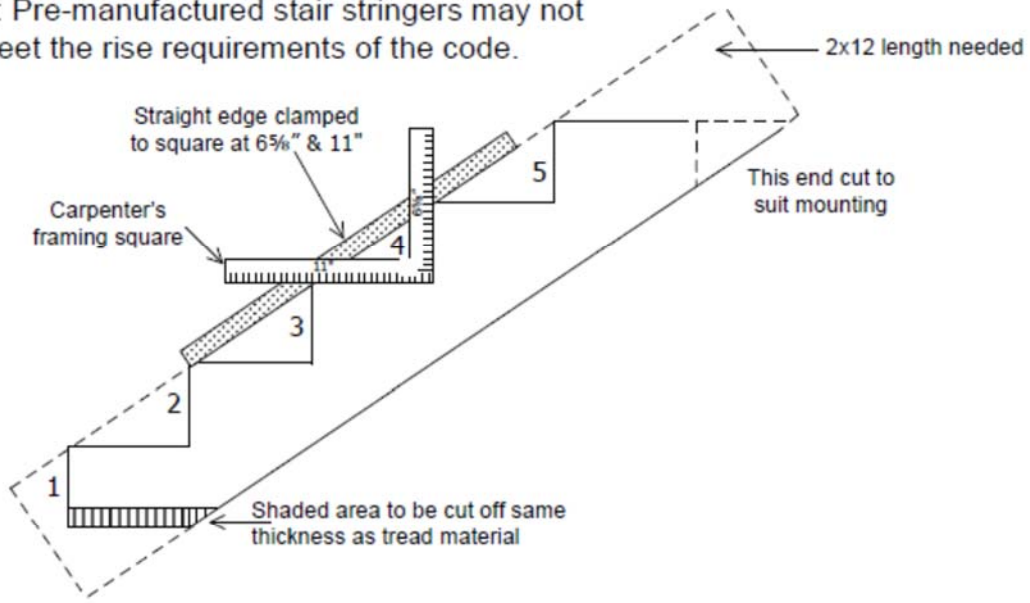
Table	
.06" = 1/16"	.56" = 9/16
.13" = 1/8"	.63" = 5/8"
.19" = 3/16"	.69" = 11/16"
.25" = 1/4"	.75" = 3/4"
.31" = 5/16"	.81" = 13/16"
.38" = 3/8"	.88" = 7/8"
.44" = 7/16"	.94" = 15/16"
.50" = 1/2"	



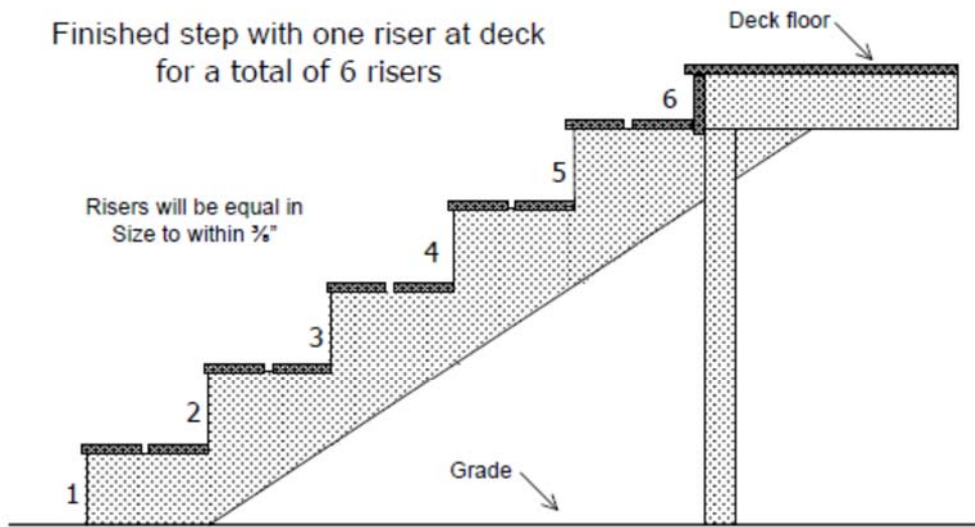
Know what you want to use for tread material & determine your run. Remember that minimum residential run is 10"; minimum commercial run is 11".

- Note:
- * Risers will be equal in size to within $\frac{3}{4}$ "
 - * There is always one less run total than required risers

NOTE: Pre-manufactured stair stringers may not meet the rise requirements of the code.



Finished step with one riser at deck
for a total of 6 risers



Handrails & guardrails required but omitted for clarity